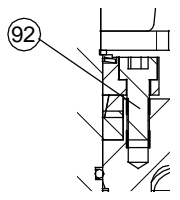
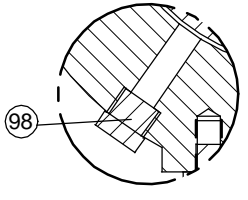


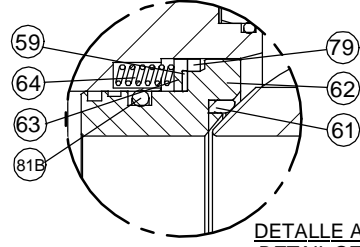
RTJ OPTIONAL



DETALLE TORNILLO PRENSA
DETAIL GLAND BOLT

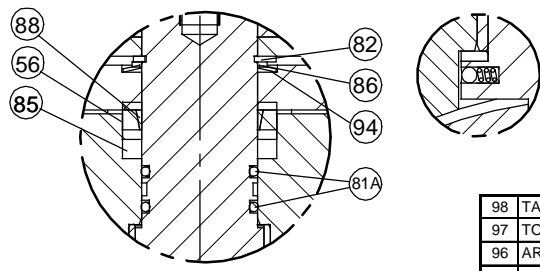


DETALLE DRENAJE
DETAIL DRAIN

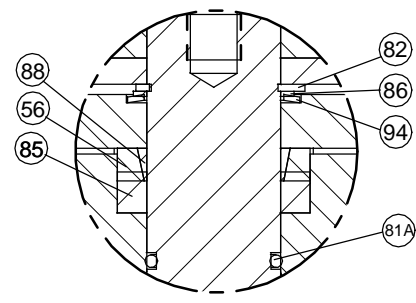


DETALLE ASIENTO
DETAIL SEAT

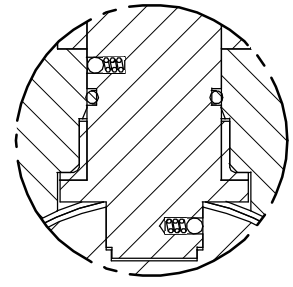
DETALLE ANTIESTATICO
DETAIL ANTI-STATIC



DETALLE C TAMAÑO NPS 4" - NPS 6"x4"
DETAIL C SIZE NPS 4" - NPS 6"x4"



DETALLE C TAMAÑO NPS 2" - NPS 4"x3"
DETAIL C SIZE NPS 2" - NPS 4"x3"



DETALLE ANTIESTATICO
DETAIL ANTI-STATIC

STANDARDS

DISEÑO / DESIGN
LONGITUD / FACE TO FACE
BRIDAS / FLANGED

BS 5351, API 6D
ANSI B16.10 LONG PATTERN
ANSI B16.5 RF, SMOOTH FINISH Ra 3.2-6.3 µm
O/ OR ANSI B16.5 RTJ
BS 5351
API 607

ANTIESTATICO / ANTI-STATIC
SEGURIDAD AL FUEGO / FIRE-SAFE

POS.	COMPONENTE	PART NAME	QTY	MTL SS VERSION	MTL CS VERSION
98	TAPON DRENAJE	BODY PLUG	1		A-105/N
97	TORNILLO DIN-933	BOLT DIN-933	-	A4-70	B7 A-193
96	ARAND.MANETA	WRENCH WASHER	1		SS 304
94	ARAND. MUELLE	SPRING WASHER	1		SS 316
93	MANETA SOPORTE	WRENCH SUPPORT	1		GGG-40
92	TORNILLO DIN-912	BOLT DIN-912	-		A2-70
91A	TORNILLO DIN-933	BOLT DIN-933	-	A4-70	B7 A-193
91	TORNILLO DIN-933	BOLT DIN-933	-		A2-70
90	MANETA	WRENCH	1		CS ZINC PLATED
88	ANILLO FRICCION	FRICION RING	1		PTFE
86A	FRICCION	FRICION WASHER	1		PTFE
86	FRICCION	FRICION WASHER	1		PTFE
85A	FRIC. SOPORTE	TRUNNION FRICTION	1		PTFE
85	ESTOPADA	STEM SEAL	1		GRAPHITE
84	PLACA IDENTIF.	IDENTIF.PLATE	1		SS 304
82	CIRCLIP DIN 471	CIRCLIP DIN 471	1		SS 431
81D	O-RING SOPORTE	TRUNNION O-RING	1		VITON
81B	O-RING ASIENTO	SEAT O-RING	2		VITON
81A	O-RING EJE	STEM O-RING	1,2		VITON
81	O-RING TAPA	BODY CAP O-RING	2		VITON
80	JUNTA SOPORTE	TRUNNION GASKET	1		GRAPHITE
79	HERMET. ASIENTO	SEAT SEAL	2		GRAPHITE
71	HERMETICIDAD	BODY SEAL	2		GRAPHITE
64	MUELLE	SPRING	-		INCONEL X-750
63	ANILLO ASIENTO	SEAT RING	2	SS 316	
62	SOP. ASIENTO	HOUSING SEAT RING	2	SS 316	
61	ASIENTO	SOFT SEAT	2		DEVLON V-API
59	ANILLO	RING	2		NYLON
56	ANILLO PRENSA	GLAND RING	1	SS 316	
55	PRENSA-ESTOPAS	GLAND PLATE	1	SS 304	
51	TOPE	STOP	1	SS 304	
50	PLACA TOPE	STOP PLATE	1	SS 304	
45	SOPORTE MUÑON	TRUNN. SUPPORT	1	SS 316	A105/N
41	TAPA	BODY CAP	2	SS 316 / CF8M	A105/N / WCC
39	COJINETE MUÑON	TRUNN. BEARING	1	SS/PTFE	CS/PTFE
38	COJINETE EJE	STEM BEARING	1	SS/PTFE	CS/PTFE
37	MUÑON BOLA	TRUNNION	1	SS 316	
31	EJE	STEM	1	SS 316	
21	BOLA	BALL	1	CF8M	
11	CUERPO	BODY	1	SS 316 / CF8M	A105/N / WCC

NPS	CLASS 150						CLASS 300		CLASS 600		ISO 5211
	RF		RTJ		RF	RTJ	RF	RTJ			
	D	L	M	N					h		
2" x 2"	51	178	181	216	219	292	295	550	163	84	F 07
3" x 2"	51	203	206	282	285	356	359	550	163	84	F 07
3" x 3"	76	203	206	282	285	356	359	550	189.5	110	F 10
4" x 3"	76	229	232	305	308	432	435	550	189.5	110	F 10
4" x 4"	102	229	232	305	308	432	435	700	253	142.5	F 12
6" x 4"	102	394	397	403	407	559	562	700	253	142.5	F 12



Tapis, 126 - P.O. Box, 13 - 17600 FIGUERES (Girona) Spain
Tel.: (34) 972 67 70 52 - Fax: (34) 972 50 90 40
E-mail: technical@bacvalves.com web: www.bacvalves.com

Título / Title		Dibujado / Drawn		Escala / Scale	
PLANO GENERAL CON LISTA DE MATERIALES GENERAL DRAWING WITH MATERIAL LIST VÁLVULA DE BOLA / BALL VALVES TIPO / TYPE APT CLASS 150-300-600		Marta Badosa		08-07-2002	
Aprobado / Approved		Fecha / Date		Rev.	
Enric Martí		10-2806		C	
Plano nº / Drawing nr.					

Prohibido el uso y reproducción de este dibujo parcial o totalmente, sin expresa autorización de BAC VALVES S.A.
 Any partial or total use or reproduction of this drawing, without specific authorization of BAC VALVES S.A. is forbidden.