

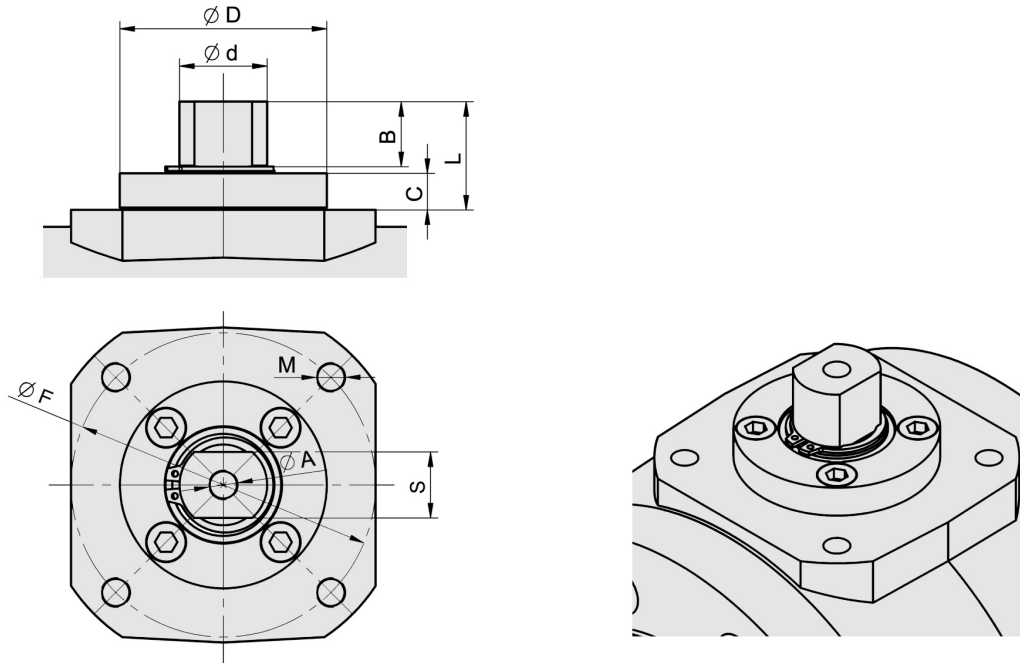


B A C V A L V E S

DIMENSIONES SALIDA DE EJE
BARE STEM DIMENSIONS

DT-BV15 Rev.0

AP - APT



		ISO 5211	Ø D	Ø F	C	Ø d	s	A	B	Ø M	L
	1/2" x 3/8"	F05	35	50	4	10	7	M5	6.5	M6	11.5
1/2"	3/4" x 1/2"	F05	35	50	4	12	9	M6	6.5	M6	10.3
3/4"	1" x 3/4"	F05	35	50	5	14	11	M6	8.4	M6	14
1"	1 1/2" x 1"	F05	35	50	6	18	14	M8	9.8	M6	17
1 1/2"	2" x 1 1/2"	F07	55	70	11	25	17	M10	21	M8	34
2"	3" x 2"	F07	55	70	11	25	17	M10	21	M8	34
3"	4" x 3"	F10	70	102	12	28	22	M10	21	M10	35.5
4"	6" x 4"	F12	85	125	15	36	27	M12	26.6	M12	44.5
4" CLASS 1500	6" x 4" CLASS 1500	F14	125	48	22	48	36	-	38	M16	63