

SECTION A-A

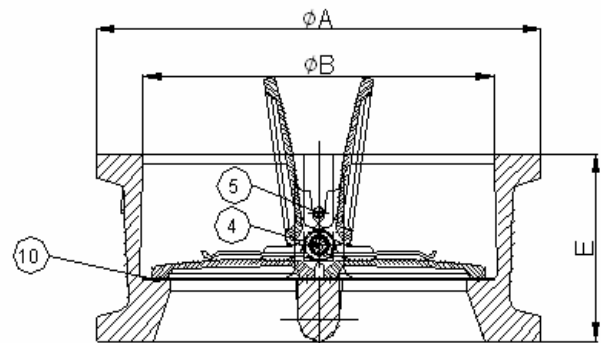
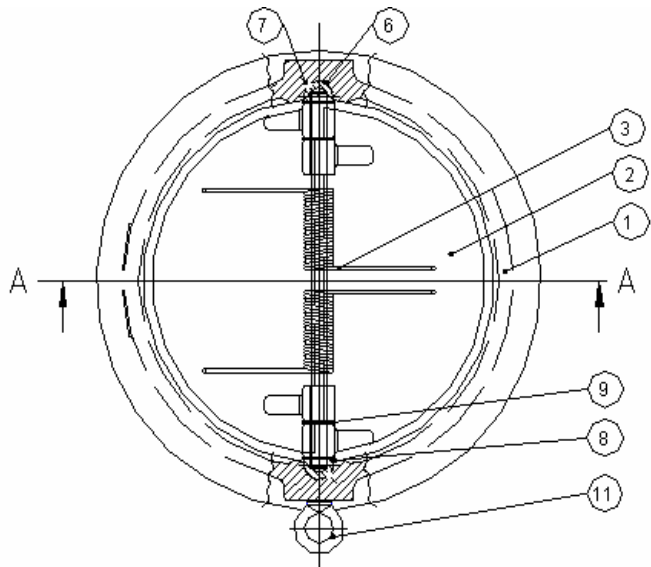
	SIZE	ϕA	ϕB	C	B.C.D.	W.T.	Q'TY
	1-1/2"	86	60	60	98.5	1.8	
	2"	101	60	60	120.6	2.5	
	2-1/2"	121	73	67	139.7	3.5	
	3"	131	89	73	152.4	4.5	
	4"	164	114	73	190.5	8.0	
	5"	193	141	86	215.9	10.0	
	6"	217	168	98	241.3	13.0	
	8"	275	219	127	298.5	28.0	
	10"	336	273	146	362.0	45.0	
	12"	406	324	181	431.8	68.0	
	14"	447	356	184	476.3	95.0	
	16"	511	406	191	539.8	132.0	
	18"	546	457	203	577.9	147.0	
	20"	603	508	219	635.0	202.0	

NO.	PARTS NAME	MATERIALS	Q'TY	REMARKS
1	BODY	A351 CF8M	1	
2	PLATE	A351 CF8M	2	
3	*SPRING	SUS 316	1	1-1/2"~5" USED 1 PC.
3	*SPRING	SUS 316	2	6"~22" USED 2 PCS.
4	HINGE PIN	SUS 316	1	
5	STOP PIN	SUS 316	1	
6	RETAINER	SUS 316	4	
7	BODY BEARING	SUS 316	2	
8	PLATE BEARING	SUS 316	2	
9	EYE BOLT	A105	1	6" AND LARGER SIZES.
10	SEAT	METAL	1	

TEST STANDARD			ASME - B16.34 / API - 598	
TEST PRESSURE		SHELL		SEAT
HYDROSTATIC PRESSURE		31.6	KG/CM ²	22.0 KG/CM ²
PNEUMATIC PRESSURE		-----	KG/CM ²	6.0 KG/CM ²
FACE TO FACE		API - 594		
DIMENSION OF END		ASME B16.5 - 150 LB		

DRAWING NAME				DUAL PLATE WAFER TYPE CHECK VALVE			
VALVE SERIAL		DWCV	DRAWING NO.		CV-TAS-S5-M-S5-B001		
DESIGNED BY		2008.12.1	APPROVED BY		JACK LU		
DRAWN BY		ABBY LU	CHECKED BY		JACK LU		

VALUE VALVES COMPANY LIMITED



SECTION A-A

PART NO.	PART NAME	METERIAL	Q'TY	REMARK						
1	BODY	A216 -WCB	1							
2	PLATE	A351-CF8M	2							
3	SPRING	SUS316	1	2"-5"						
			2	6"-20"						
			4	24"-36"						
			6	40"						
4	HINGE PIN	SUS 316	1							
5	STOP PIN	SUS 316	1							
6	CARRIER	WCB	2							
7	SET SCREW	316	2							
8	BODY BEARING	SUS 316	2							
9	PLATE BEARING	SUS 316	0							
10	SEAT	METAL	1							
11	EYE BOLT	SS41	1	6"-20"						
			2	24"-40"						

DIMENSIONS :

SIZE	φ A			φ B	E		
	150LB	300LB	600LB		150LB	300LB	600LB
1.5"	86	92	92	60	60	60	
2"	101	108	108	60	60	60	
2.5"	121	127	127	73	67	67	
3"	131	145	145	89	73	73	
4"	164	177	190	114	73	73	
5"	193	212	238	141	86	87	
6"	217	247	263	168	98	98	
8"	275	304	317	219	127	127	
10"	336	358	396	274	146	146	
12"	406	419	453	324	181	181	
14"	447	482	488	356	184	222	
16"	511	536	562	406	191	232	
18"	546	593	609	457	203	264	
20"	603	650	678	508	219	292	
24"	718	775	791	610	222	318	

TEST STANDARD		ASME - B16.34 / API - 598				
TEST PRESSURE	SHELL		SEAT			
HYDROSTATIC	150LB	31.6	KG/CM ²	150LB	22.0	KG/CM ²
	300LB	79.0	KG/CM ²	300LB	58.0	KG/CM ²
	600LB	105.0	KG/CM ²	600LB	77.0	KG/CM ²
PNEUMANTIC PRESSURE	---	---	KG/CM ²	150LB-600LB	6.0	KG/CM ²
FACE TO FACE	API - 594					
MODEL NO.	TC8-W-S5-M-101022-1					

DRAWING NAME		DUAL PLATE WAFER TYPE CHECK VALVE WITH RETAINERLESS			
APPROVED BY	CHECKED BY	DESIGNED BY	DRAWN BY		
JACK LU	JACK LU	JACK LU	JACK LU		
VALUE VALVES CO.,LTD.					