

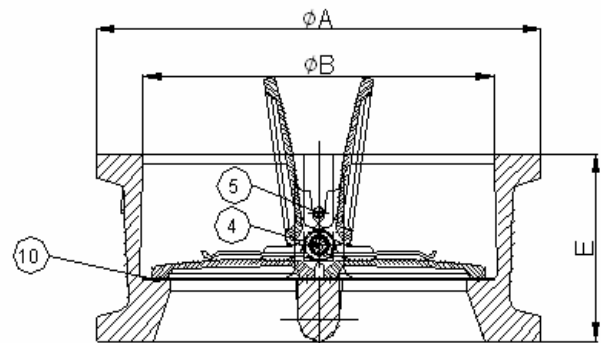
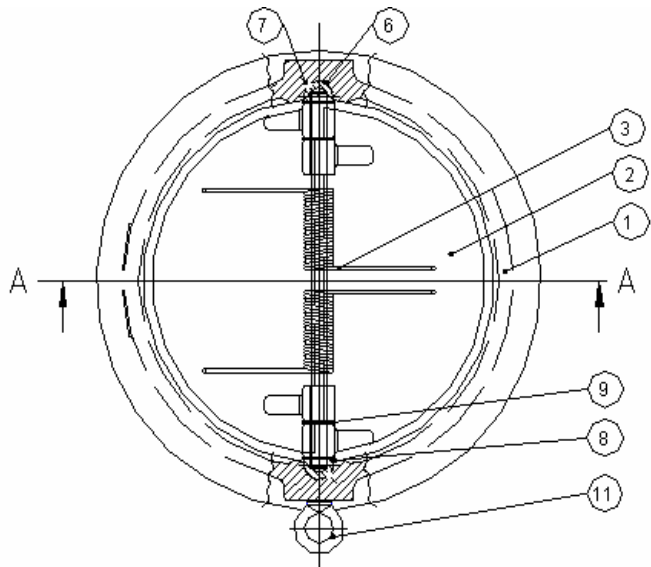
SECTION A-A

	SIZE	ϕA	ϕB	C	B.C.D.	W.T.	Q'TY
	1-1/2"	92	60	60	114.3	2.5	
	2"	108	60	60	127.0	3.5	
	2-1/2"	127	73	67	149.4	4.0	
	3"	145	89	73	168.1	6.0	
	4"	177	114	73	200.2	11.0	
	5"	212	141	87	235.0	13.0	
	6"	247	168	98	269.7	23.0	
	8"	304	219	127	330.2	36.0	
	10"	358	273	146	387.4	65.0	
	12"	419	324	181	450.9	86.0	
	14"	482	356	222	514.4	170.0	
	16"	536	406	232	571.5	208.0	
	18"	593	457	264	628.7	296.0	
	20"	650	508	292	685.8	366.0	

NO.	PARTS NAME	MATERIALS	Q'TY	REMARKS
1	BODY	A216 WCB	1	
2	PLATE	A351 CF8M	2	
3	*SPRING	SUS 316	1	1-1/2"~5" USED 1 PC.
3	*SPRING	SUS 316	2	6"~22" USED 2 PCS.
4	HINGE PIN	SUS 316	1	
5	STOP PIN	SUS 316	1	
6	RETAINER	A105	4	
7	BODY BEARING	SUS 316	2	
8	PLATE BEARING	SUS 316	2	
9	EYE BOLT	A105	1	6" AND LARGER SIZES.
10	SEAT	METAL	1	

TEST STANDARD		ASME - B16.34 / API - 598	
TEST PRESSURE	SHELL	SEAT	
HYDROSTATIC PRESSURE	78.0	KG/CM ²	59.0
PNEUMATIC PRESSURE	-----	KG/CM ²	6.0
FACE TO FACE	API - 594		
DIMENSION OF END	ASME B16.5 - 300 LB		
DRAWING NAME	DUAL PLATE WAFER TYPE CHECK VALVE		
VALVE SERIAL	DWCV	DRAWING NO.	CV-TAS-S5-M-S5-B001
DESIGNED BY	2008.12.1	APPROVED BY	JACK LU
DRAWN BY	ABBY LU	CHECKED BY	JACK LU

VALUE VALVES COMPANY LIMITED



SECTION A-A

PART NO.	PART NAME	METERIAL	Q'TY	REMARK						
1	BODY	A216 -WCB	1							
2	PLATE	A351-CF8M	2							
3	SPRING	SUS316	1	2"-5"						
			2	6"-20"						
			4	24"-36"						
			6	40"						
4	HINGE PIN	SUS 316	1							
5	STOP PIN	SUS 316	1							
6	CARRIER	WCB	2							
7	SET SCREW	316	2							
8	BODY BEARING	SUS 316	2							
9	PLATE BEARING	SUS 316	0							
10	SEAT	METAL	1							
11	EYE BOLT	SS41	1	6"-20"						
			2	24"-40"						

DIMENSIONS :

SIZE	φ A			φ B	E		
	150LB	300LB	600LB		150LB	300LB	600LB
1.5"	86	92	92	60	60	60	
2"	101	108	108	60	60	60	
2.5"	121	127	127	73	67	67	
3"	131	145	145	89	73	73	
4"	164	177	190	114	73	73	
5"	193	212	238	141	86	87	
6"	217	247	263	168	98	98	
8"	275	304	317	219	127	127	
10"	336	358	396	274	146	146	
12"	406	419	453	324	181	181	
14"	447	482	488	356	184	222	
16"	511	536	562	406	191	232	
18"	546	593	609	457	203	264	
20"	603	650	678	508	219	292	
24"	718	775	791	610	222	318	

TEST STANDARD		ASME - B16.34 / API - 598				
TEST PRESSURE	SHELL			SEAT		
HYDROSTATIC	150LB	31.6	KG/CM ²	150LB	22.0	KG/CM ²
	300LB	79.0	KG/CM ²	300LB	58.0	KG/CM ²
	600LB	105.0	KG/CM ²	600LB	77.0	KG/CM ²
PNEUMANTIC PRESSURE	---	---	KG/CM ²	150LB-600LB	6.0	KG/CM ²
FACE TO FACE	API - 594					
MODEL NO.	TC8-W-S5-M-101022-1					

DRAWING NAME		DUAL PLATE WAFER TYPE CHECK VALVE WITH RETAINERLESS			
APPROVED BY	CHECKED BY	DESIGNED BY	DRAWN BY		
JACK LU	JACK LU	JACK LU	JACK LU		
VALUE VALVES CO.,LTD.					