

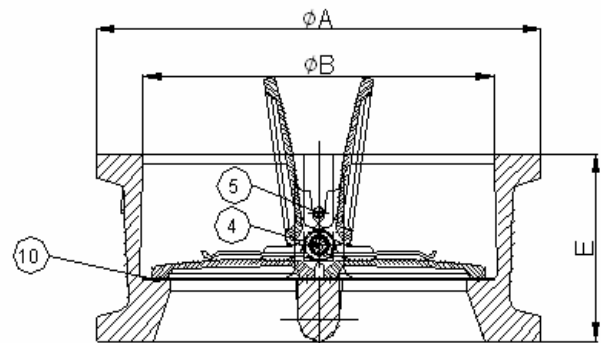
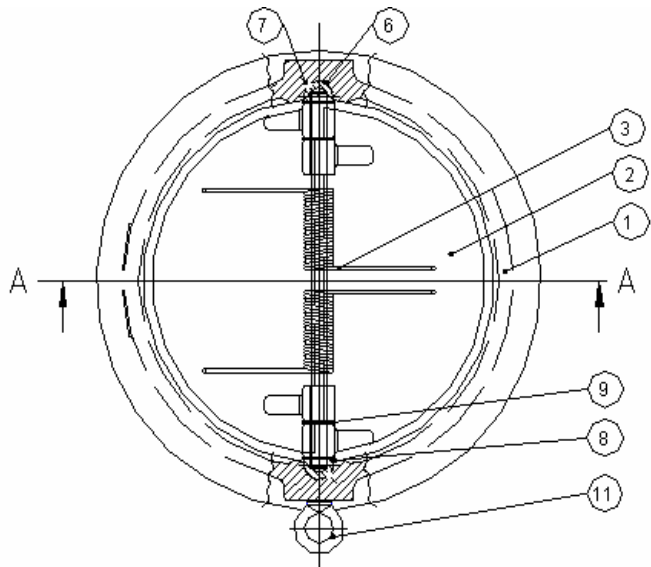
SECTION A-A

	SIZE	$\phi A$	$\phi B$	C	B.C.D.	W.T.	Q'TY
	1-1/2"	92	60	60	114.3	2.5	
	2"	108	60	60	127.0	3.5	
	2-1/2"	127	73	67	149.4	4.0	
	3"	145	89	73	168.1	6.0	
	4"	190	114	79	215.9	15.0	
	5"	238	141	105	266.7	21.0	
	6"	263	168	136	292.1	32.0	
	8"	317	219	165	349.3	65.0	
	10"	396	273	213	431.8	98.0	
	12"	453	324	230	489.0	140.0	
	14"	488	356	273	527.1	235.0	
	16"	562	406	305	603.3	274.0	
	18"	609	457	362	654.1	396.0	
	20"	678	508	368	723.9	648.0	

NO.	PARTS NAME	MATERIALS	Q'TY	REMARKS
1	BODY	A216 WCB	1	
2	PLATE	A351 CF8M	2	
3	*SPRING	SUS 316	1	1-1/2"~5" USED 1 PC.
3	*SPRING	SUS 316	2	6"~22" USED 2 PCS.
4	HINGE PIN	SUS 316	1	
5	STOP PIN	SUS 316	1	
6	RETAINER	A105	4	
7	BODY BEARING	SUS 316	2	
8	PLATE BEARING	SUS 316	2	
9	EYE BOLT	A105	1	6" AND LARGER SIZES.
10	SEAT	METAL	1	

TEST STANDARD			ASME - B16.34 / API - 598	
TEST PRESSURE		SHELL		SEAT
HYDROSTATIC PRESSURE		156.3	KG/CM2	114.6
PNEUMATIC PRESSURE		-----	KG/CM2	6.0
FACE TO FACE		API - 594	WALL THICKNESS	API - 594
DIMENSION OF END		ASME B16.5 - 600 LB		
DRAWING NAME		DUAL PLATE WAFER TYPE CHECK VALVE		
VALVE SERIAL		DWCV	DRAWING NO.	CV-TAS-S5-M-S5-B001
DESIGNED BY		2008.12.1	APPROVED BY	JACK LU
DRAWN BY		ABBY LU	CHECKED BY	JACK LU

**VALUE VALVES COMPANY LIMITED**



SECTION A-A

PART NO.	PART NAME	METERIAL	Q'TY	REMARK					
1	BODY	A216 -WCB	1						
2	PLATE	A351-CF8M	2						
3	SPRING	SUS316	1	2"-5"					
			2	6"-20"					
			4	24"-36"					
			6	40"					
4	HINGE PIN	SUS 316	1						
5	STOP PIN	SUS 316	1						
6	CARRIER	WCB	2						
7	SET SCREW	316	2						
8	BODY BEARING	SUS 316	2						
9	PLATE BEARING	SUS 316	0						
10	SEAT	METAL	1						
11	EYE BOLT	SS41	1	6"-20"					
			2	24"-40"					

DIMENSIONS :

SIZE	$\phi A$			$\phi B$	E		
	150LB	300LB	600LB		150LB	300LB	600LB
1.5"	86	92	92	60	60	60	60
2"	101	108	108	60	60	60	60
2.5"	121	127	127	73	67	67	67
3"	131	145	145	89	73	73	73
4"	164	177	190	114	73	73	79
5"	193	212	238	141	86	87	105
6"	217	247	263	168	98	98	136
8"	275	304	317	219	127	127	165
10"	336	358	396	274	146	146	213
12"	406	419	453	324	181	181	230
14"	447	482	488	356	184	222	273
16"	511	536	562	406	191	232	305
18"	546	593	609	457	203	264	362
20"	603	650	678	508	219	292	368
24"	718	775	791	610	222	318	438

TEST STANDARD		ASME - B16.34 / API - 598				
TEST PRESSURE	SHELL			SEAT		
HYDROSTATIC	150LB	31.6	KG/CM <sup>2</sup>	150LB	22.0	KG/CM <sup>2</sup>
	300LB	79.0	KG/CM <sup>2</sup>	300LB	58.0	KG/CM <sup>2</sup>
	600LB	105.0	KG/CM <sup>2</sup>	600LB	77.0	KG/CM <sup>2</sup>
PNEUMANTIC PRESSURE	---	---	KG/CM <sup>2</sup>	150LB-600LB	6.0	KG/CM <sup>2</sup>
FACE TO FACE	API - 594					
MODEL NO.	TC8-W-S5-M-101022-1					

DRAWING NAME		DUAL PLATE WAFER TYPE CHECK VALVE WITH RETAINERLESS			
APPROVED BY	CHECKED BY	DESIGNED BY	DRAWN BY		
JACK LU	JACK LU	JACK LU	JACK LU		
<b>VALUE VALVES CO.,LTD.</b>					