

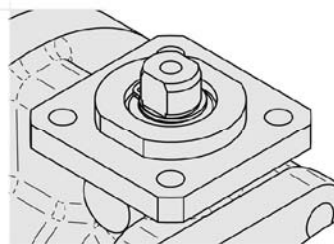


BAC VALVES

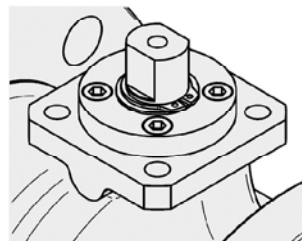
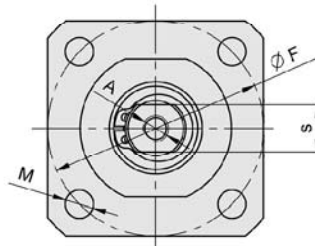
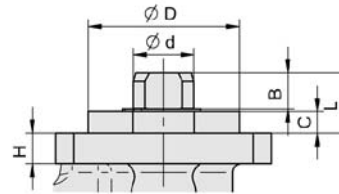
DIMENSIONES SALIDA DE EJE
BARE STEM DIMENSIONS

DT-BV14 Rev.0

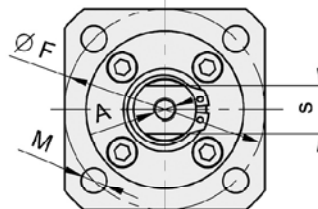
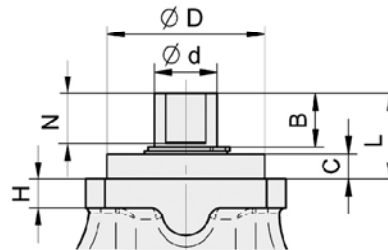
FB, FB-L, FB-M, FR



DN 15 - 1/2" hasta DN 40 - 1 1/2"
DN 15 - 1/2" up to DN 40 - 1 1/2"



DN 50 - 2" hasta DN 400 - 16"
DN 50 - 2" up to DN 400 - 16"

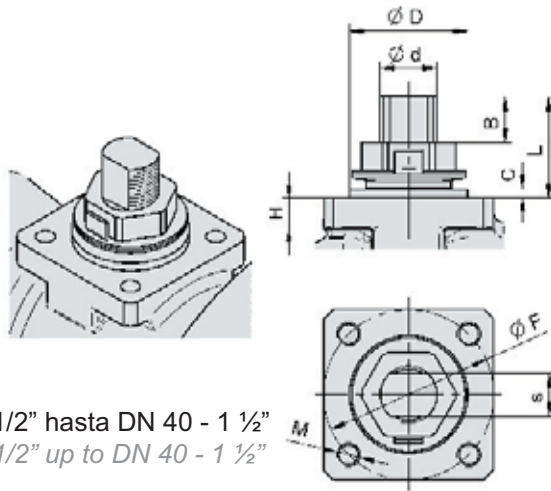


		ISO 5211	Ø D	Ø F	C	Ø d	s	A	B	Ø M	N	L	H
15	1/2"	F05	35	50	4	10	7	M5	6.5	6.5	-	11	6
20	3/4"	F05	35	50	4	12	9	M6	6.5	6.5	-	11	6
25	1"	F05	35	50	5	14	11	M6	8.5	6.5	-	14	7
32		F05	35	50	6	18	14	M8	10	6.5	-	17	8
40	1 1/2"	F05	35	50	6	18	14	M8	10	6.5	-	17	8
50	2"	F07	55	70	9	22	17	M8	11.5	9	-	22.8	10
65		F07	55	70	9	22	17	M8	11.5	9	-	22.8	10
80	3"	F10	70	102	11	28	22	M10	21.5	11	-	35	12
100	4"	F10	70	102	11	28	22	M10	21.5	11	-	35	12
125		F12	85	125	14	36	27	M12	27.5	13	-	45	16
150	6"	F12	85	125	14	36	27	M12	27.5	13	-	45	16
200	8"	F14	100	140	14	45	36	M16	37	17.5	-	53	16
250	10"	F14	100	140	17	48	36	M16	42.5	17.5	36	63	18
300	12"	F16	130	165	20	60	46	-	54	21.5	46	78	21
350	14"	F25	200	254	22	72	55	-	62	8 x 17.5	55	88.5	20
400	16"	F25	200	254	22	72	55	-	62	8 x 17.5	55	88.5	20

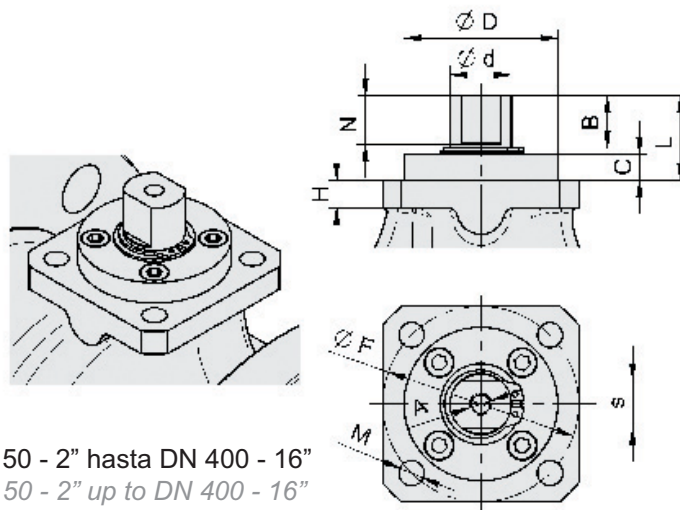


DT-BV14 Rev.1

FB, FB-L, FB-M, FR, Capi



DN 15 - 1/2" hasta DN 40 - 1 1/2"
DN 15 - 1/2" up to DN 40 - 1 1/2"



DN 50 - 2" hasta DN 400 - 16"
DN 50 - 2" up to DN 400 - 16"

		ISO 5211	Ø D	Ø F	C	Ø d	s	A	B	Ø M	N	L	H
15	1/2"	F03s	25	36	2	M10	7	-	8	M5	-	18	5
20	3/4"	F03	25	36	2	M12	9	-	10	M5	-	22	5
25	1"	F04	30	42	2	M14	11	-	13	M6	-	27	6
32	1 1/4"	F05	35	50	2	M18	14	-	16	M6	-	33	6.5
40	1 1/2"	F05	35	50	2	M18	14	-	16	M6	-	33	6.5
50	2"	F07	55	70	9	22	17	M8	19	9	17	30	10
65		F07	55	70	9	22	17	M8	19	9	17	30	10
80	3"	F10	70	102	11	28	22	M10	26	11	22	40	12
100	4"	F10	70	102	11	28	22	M10	26	11	22	40	12
125		F12	85	125	14	36	27	M12	32.5	13	27	50	16
150	6"	F12	85	125	14	36	27	M12	32.5	13	27	50	16
200	8"	F14	100	140	17	48	36	M16	42.5	17.5	36	63	18.5
250	10"	F14	100	140	17	48	36	M16	42.5	17.5	36	63	18.5
300	12"	F16	130	165	20	60	46	-	54	21.5	46	78	21
350	14"	F25	200	254	22	72	55	-	62	8 x 17.5	55	88.5	21
400	16"	F25	200	254	22	72	55	-	62	8 x 17.5	55	88.5	21